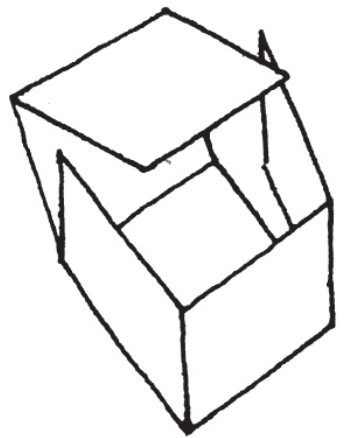
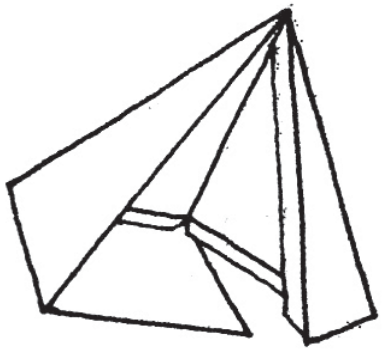
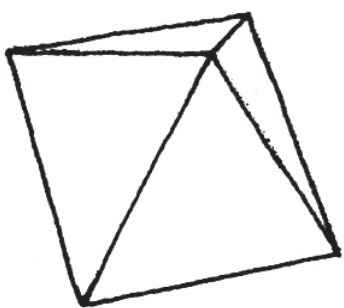
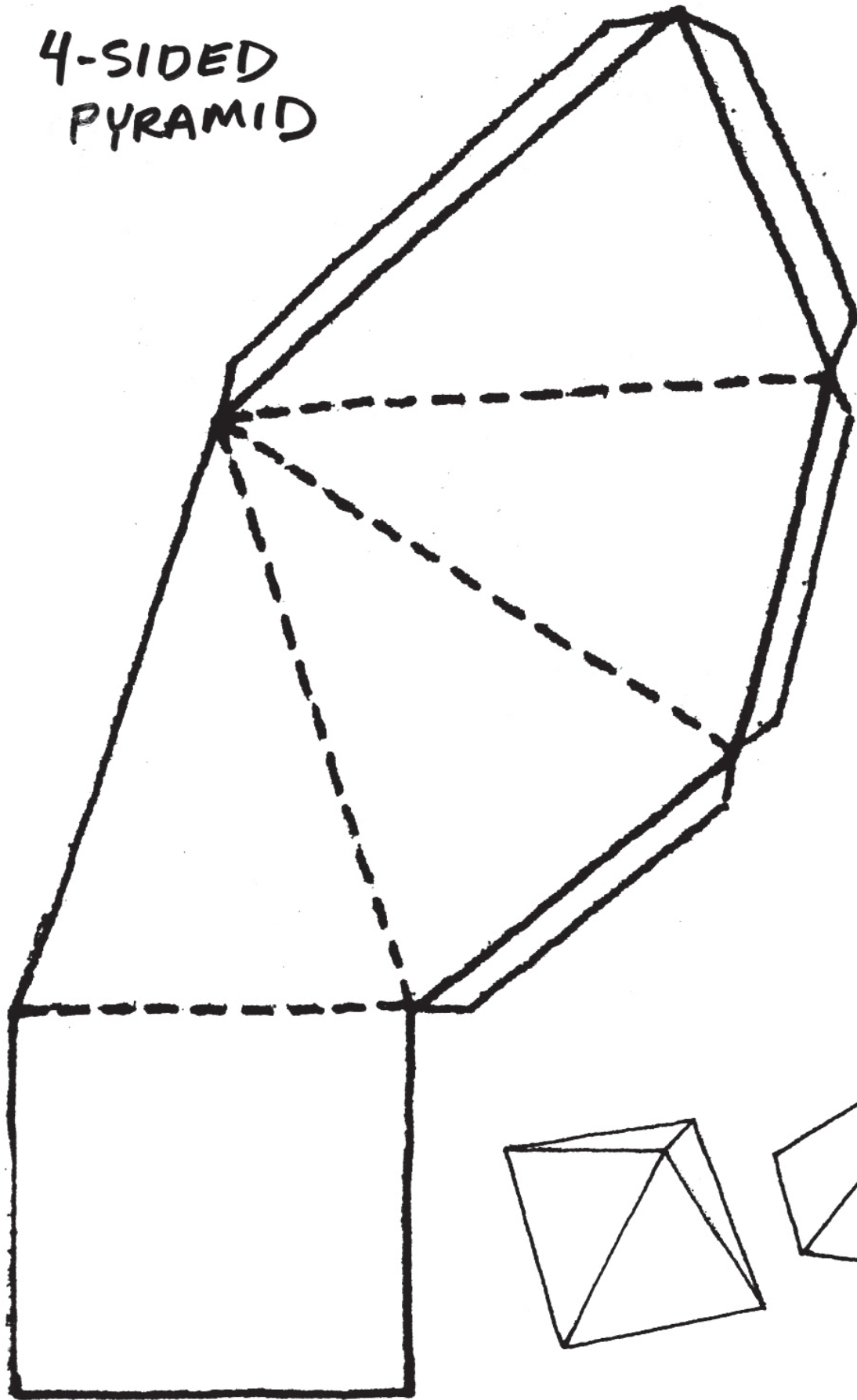


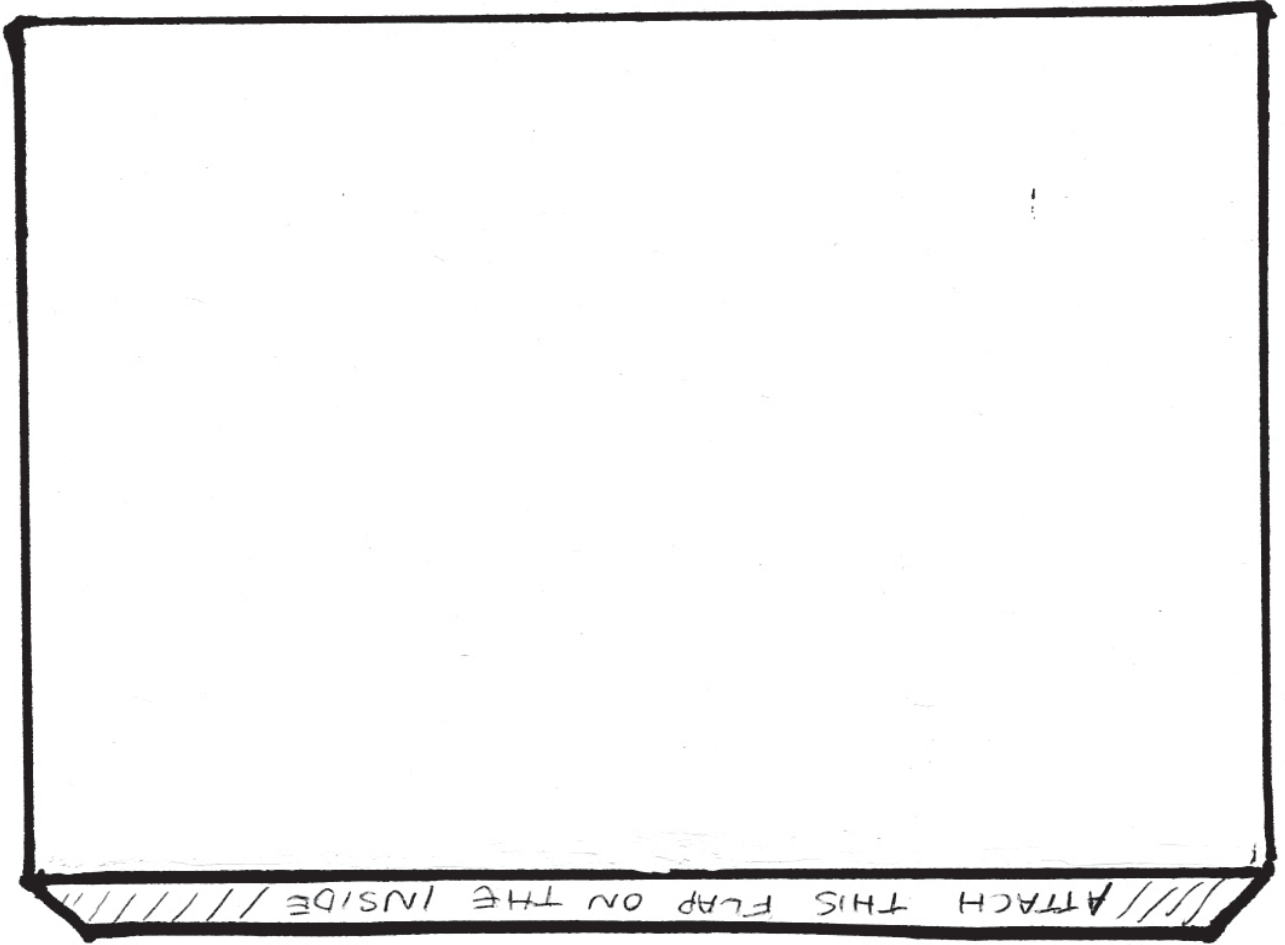
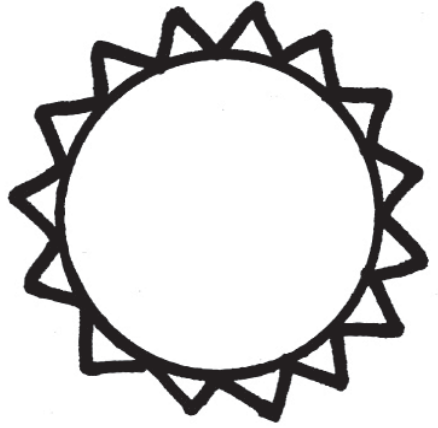
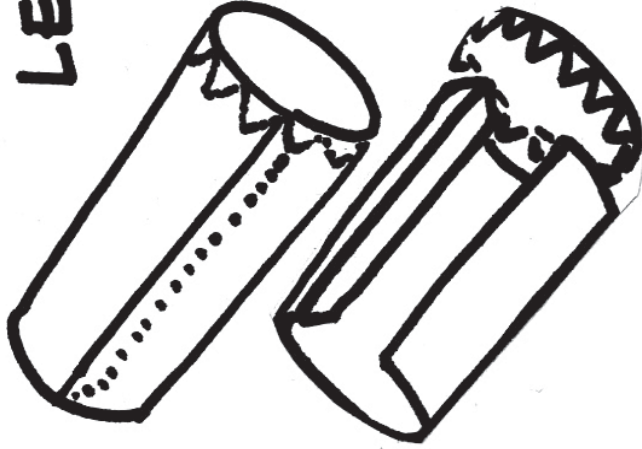
**BASIC
CUBE**



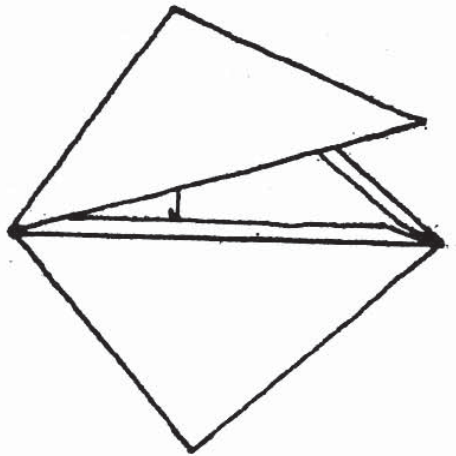
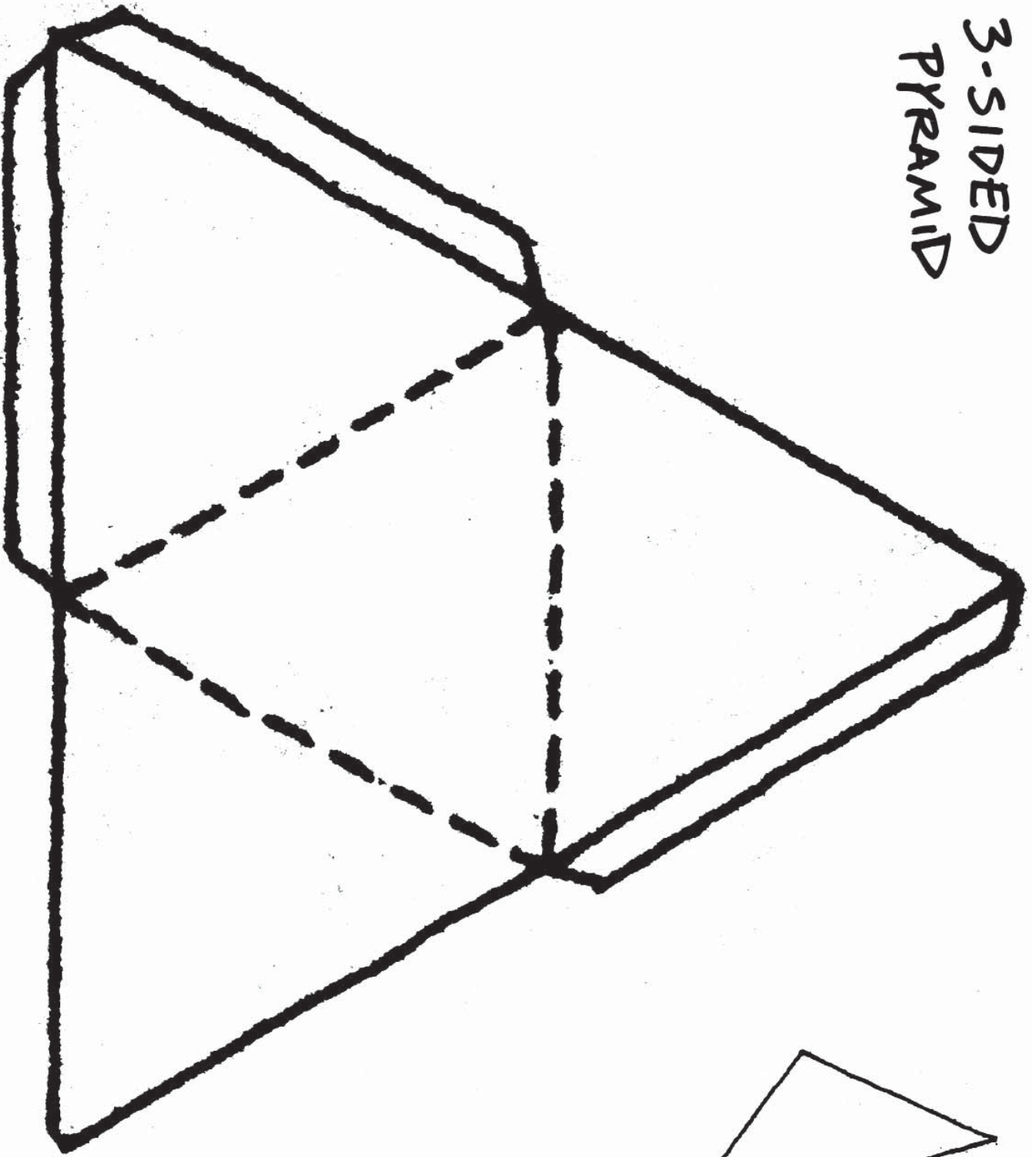
4-SIDED
PYRAMID



CYLINDER
BASIC
LEG



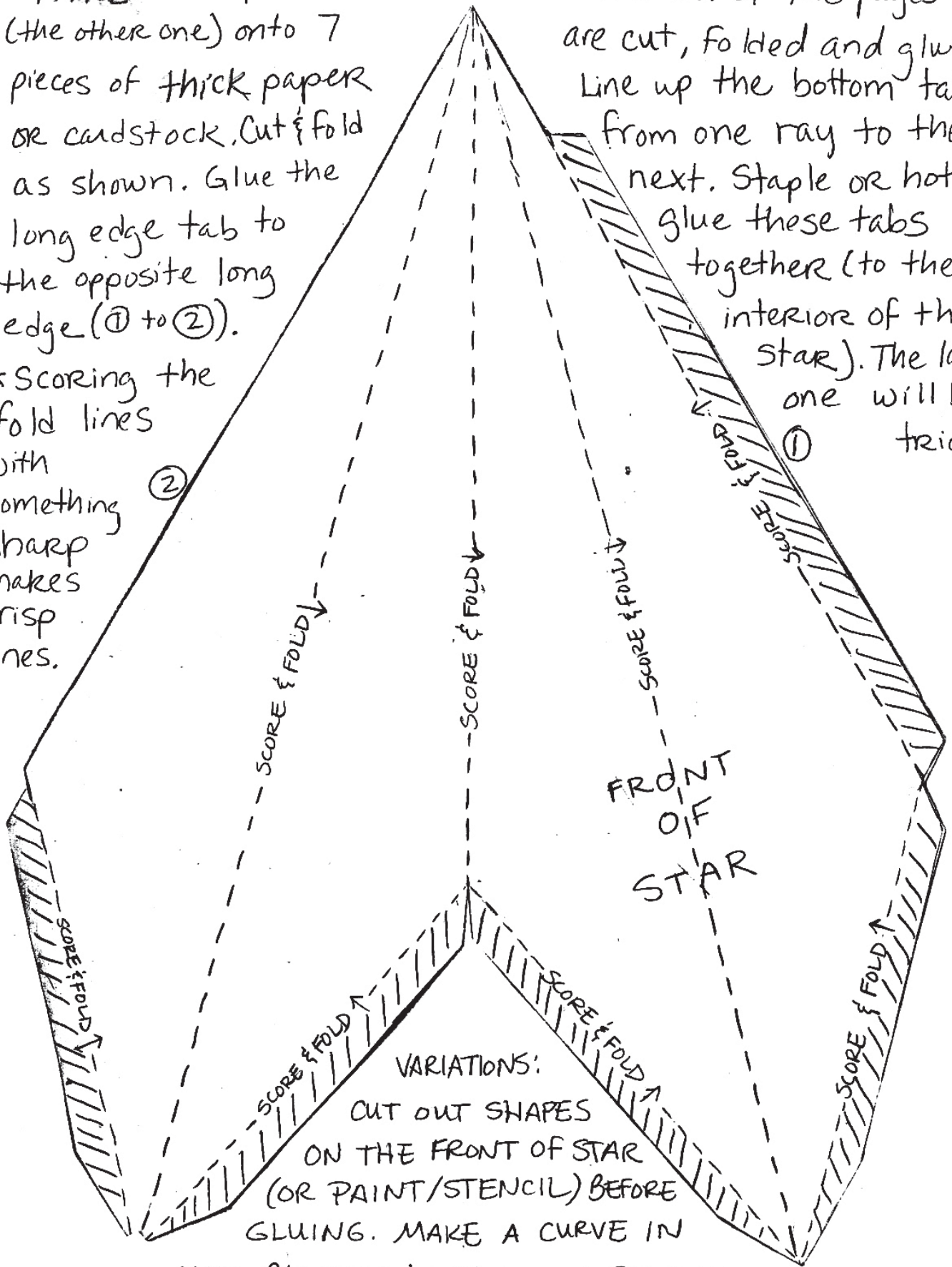
3-SIDED
PYRAMID



TRACE the pattern (the other one) onto 7 pieces of thick paper or cardstock. Cut & fold as shown. Glue the long edge tab to the opposite long edge (① to ②).

* Scoring the fold lines with something sharp makes crisp lines.

Once all of the pages are cut, folded and glued. Line up the bottom tab from one ray to the next. Staple or hot glue these tabs together (to the interior of the star). The last one will be a trick



VARIATIONS:
 CUT OUT SHAPES
 ON THE FRONT OF STAR
 (OR PAINT/STENCIL) BEFORE
 GLUING. MAKE A CURVE IN
 THE CENTER LINE WHEN SCORING.